

## Invitation to Bid ITB23/02641 Amendment no. 2

Ref. no. ITB23/02641

Date: 25/04/2023

**Subject: EU4MD / Purchase of Technical equipment for the provision of public services in Cahul and Ungheni (14 LOTS)**

Dear Sir/Madam,

1. UNDP is hereby clarifying the following technical criteria for LOT #14 in Section 5: SCHEDULE OF REQUIREMENTS, point K. Technical Specifications for Goods.
2. The following entries are hereby clarified to read as follows:

Lot # 14 Technical criteria:	Required technical specification:
Max. pump flow rate, m <sup>3</sup> /h	450
Max. pumping height, m	57
NPSHr, m	Max.1.9m

Same data reflected in the Annex 1: Technical Responsiveness Table, Lot 14 excel file remains unchanged.

3. Revised Section 5: Schedule of Requirements to incorporate above clarifications of Invitation to Bid no. ITB23/02641 are hereby attached. The clarifications are marked in red.
4. Moreover, UNDP is hereby publishing Questions and Answers to ITB23/02641 as below:

LOT #1 Backhoe – Bulldozer

Q1. Do you need the rear arm to be telescopic or simple?

A1. It is requested hydraulic arm extension.

LOT #11, 120L :

Q1. Our dies has no RAL quality mark, is it acceptable to stick RAL quality mark on lib of waste bin?

A1. It is acceptable to stick to RAL quality mark according to RAL certification procedure.

Q2. Please kindly confirm the resistance handle and front grip in the lib are right ?

A2. It is confirmed.

Q3. What is the meaning of "Hinges assured" ?

A3. The lid is attached to the body with two hinge pins, one at each end of the continuous tubular handle. The sturdy lid of the mobile two 2 wheeled waste recycling bins features two practical handles.

Q4. "Flaps-flat, adapted to the body, Mounted in 2 points to the body with 2 screw pins, 2 handle": Do it mean the connection between lib and body?

A4. Yes.

LOT #12, 1100L :

Q1. Our dies has no RAL quality mark, is it acceptable to stick RAL quality mark on lib of waste bin?

A1. Is it acceptable to stick RAL quality mark according to RAL certification procedure

Q2. We have two resistance handles on two sides of body (total four resistance handles). No front grip.

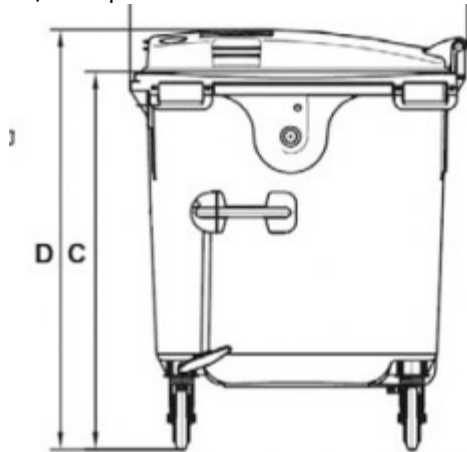
A2. It is acceptable.

Q3. What's the meaning of "Hinges assured"?

A3. The lid is attached to the body with two hinge pins, one at each end of the continuous tubular handle. The sturdy lid of the mobile two 2 wheeled waste recycling bins features two practical handles.

Q4. What's the meaning of "Throw height "?

A4. See picture below " External dimension C" for details:



Q5. "Flaps-flat, adapted to the body, Mounted in 2 points to the body with 2 screw pins, 2 handles" :do it mean the connection between lib and body? Is it acceptable?

A5. See the picture below for details:

LOT #14 Horizontal pump for waste water :

Q1. Could you please kindly help double check pump parameters, as they seem not accurate?

A1. See clarification provided as per the Amendment no.2 above.

LOT #7 two (2) axes trailer

Q1. We cannot present 1 contract worth \$40,000 to Section 4 (minimum three (3) contracts in the provision and supply of technical equipment of similar value and type of requested equipment implemented over the last five (5) years with at least 1 contract valued at USD 40,000 (in case of LOTS 4, 5, 7, 8, 9, 10, 13 and 14). Could you, please advise?

A1. The minimum qualification criteria stated in the ITB remain unchanged. For being considered qualified, the company should respond to all minimum qualification criteria announced.

5. All other terms and conditions of the solicitation documents, except as amended herein, shall remain unchanged and shall continue in full force and effect.